



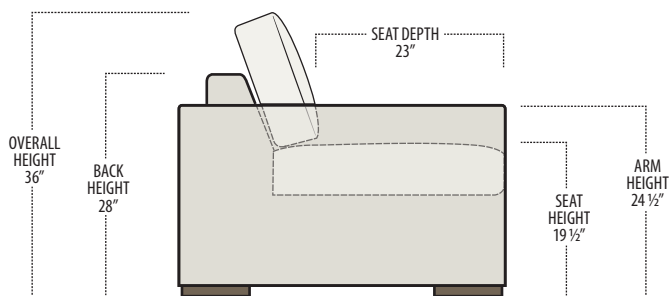
# carbon

Customize this style to suit your needs or personality. We have thousands of fabrics and leathers on hand to make your furniture piece unique to you. Custom sizing is also available on most of our furniture.



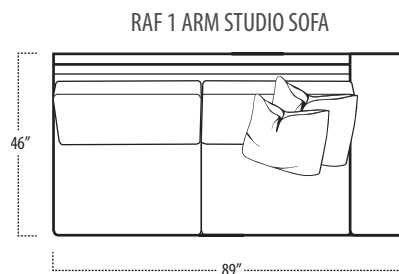
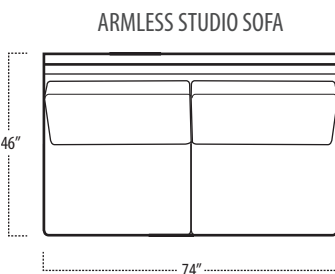
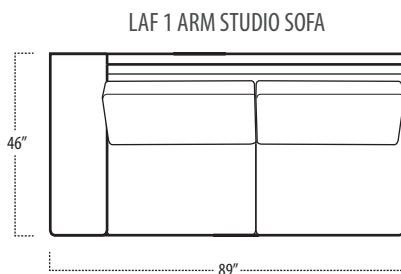
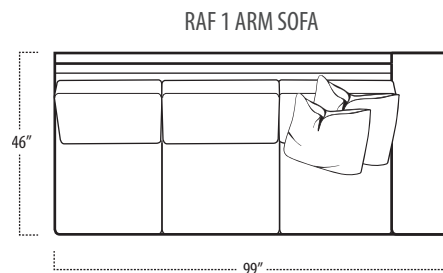
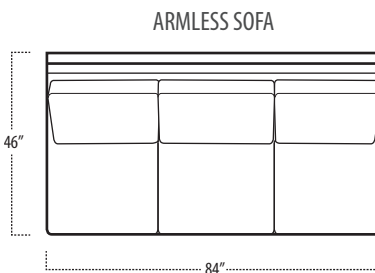
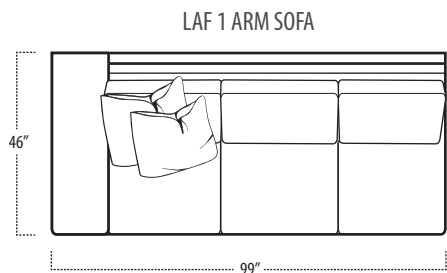
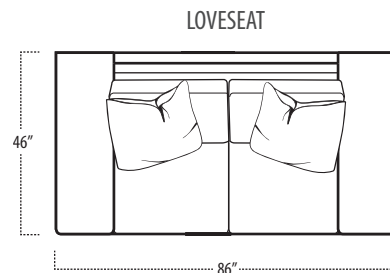
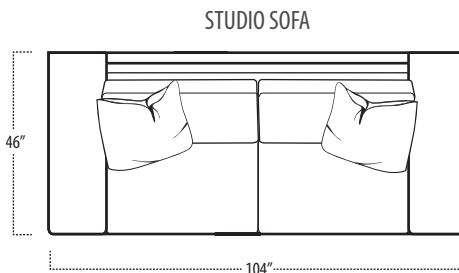
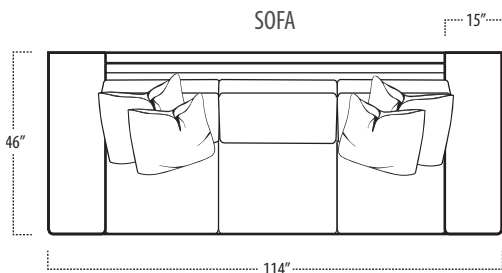
Scan the QR Code to access our product page online for additional options and features. This link will also allow you to view this spec sheet as a digital PDF file.

## Side View Specification | Not to Scale [ CUSTOM SIZING AVAILABLE ]



## Top View Specifications | Scale: 1/4" = 1FT.

(Seat depth may vary depending on back pillow placement. All dimensions are approximate and subject to change.)

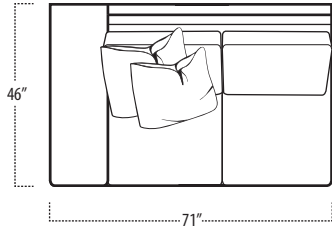


# carbon

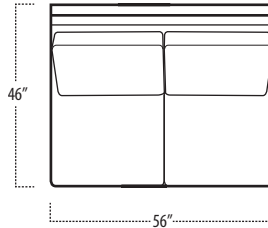
## ■ Top View Specifications | Scale: 1/4" = 1FT.

(Seat depth may vary depending on back pillow placement. All dimensions are approximate and subject to change.)

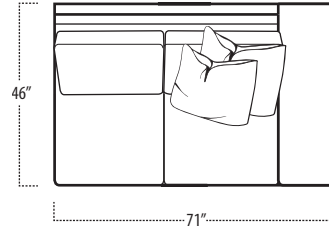
LAF 1 ARM LOVESEAT



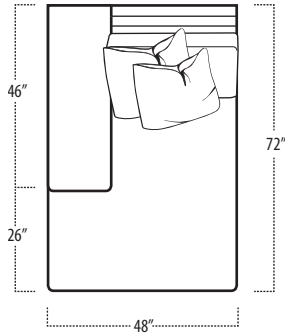
ARMLESS LOVESEAT



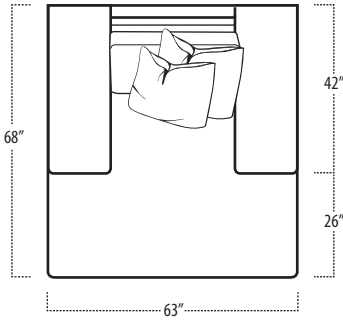
RAF 1 ARM LOVESEAT



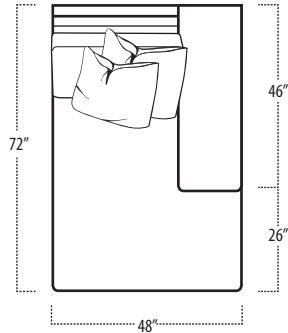
LAF 1 ARM CHAISE



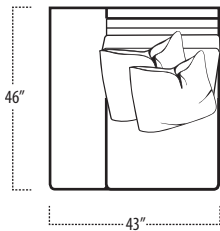
CHAISE



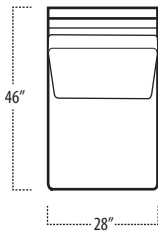
RAF 1 ARM CHAISE



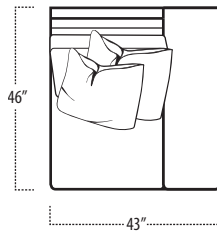
LAF 1 ARM CHAIR



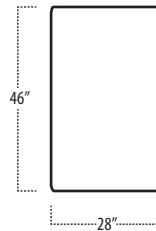
ARMLESS CHAIR



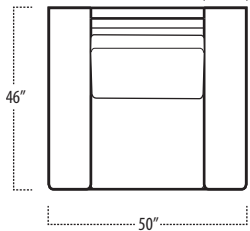
RAF 1 ARM CHAIR



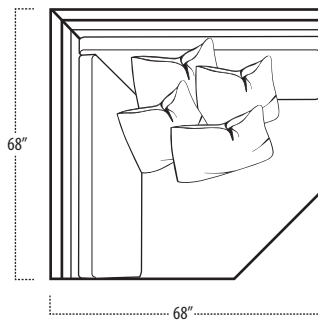
BUMPER OTTOMAN



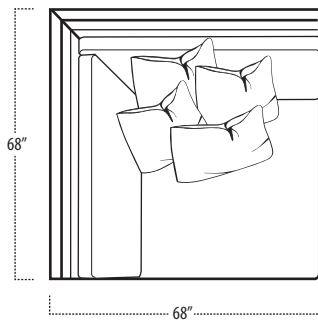
CHAIR / SWIVEL  
[SWIVEL W/O LEGS]



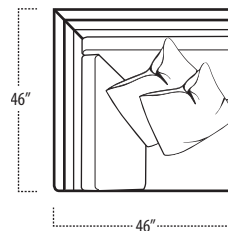
CORNER WEDGE



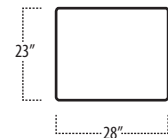
CORNER CHAISE



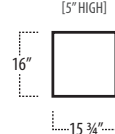
SQUARE CORNER



OTTOMAN



ARM TRAY  
[5" HIGH]

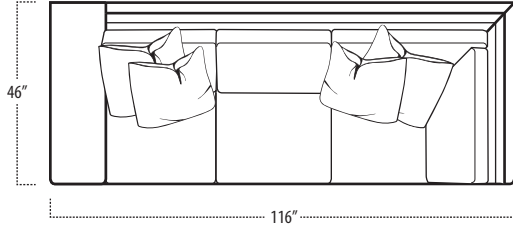


# carbon

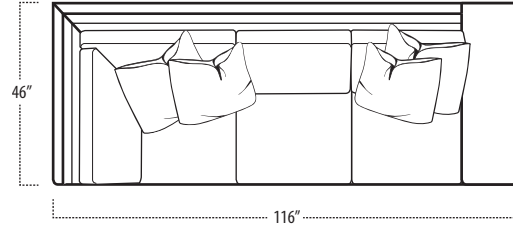
## ■ Top View Specifications | Scale: 1/4" = 1FT.

(Seat depth may vary depending on back pillow placement. All dimensions are approximate and subject to change.)

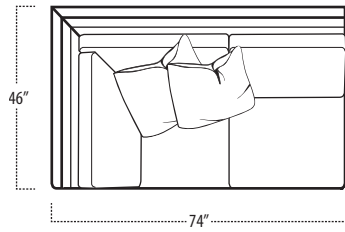
LAF SOFA WITH RETURN



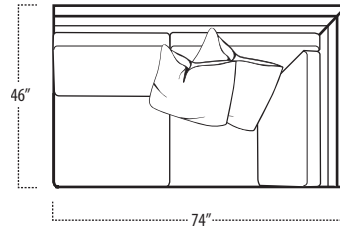
RAF SOFA WITH RETURN



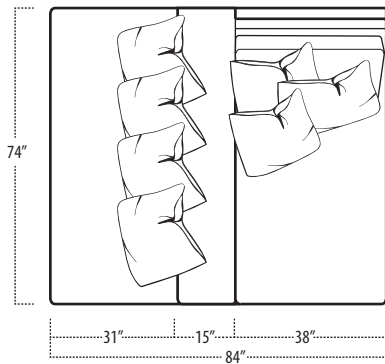
ARMLESS LOVESEAT WITH LEFT RETURN



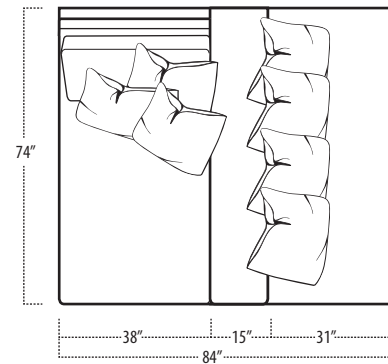
ARMLESS LOVESEAT WITH RIGHT RETURN



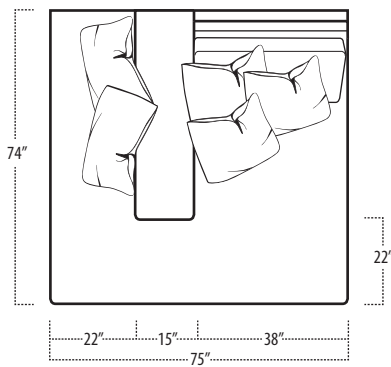
LAF 1 ARM PENINSULA



RAF 1 ARM PENINSULA



LAF 1 ARM ISLAND



RAF 1 ARM ISLAND

